

# MEGAPIXEL IP CAMERA

## DMC-20FW

**Full HD(2M, 1080p)  
H.264 Real Time Streaming**

### Features

- 1/3" PS-Panasonic CMOS
- 2.2 Megapixel, Dual Encoding (H.264 / MJPEG),
- High Performance Streaming Engine (Max. 30fps live view@2010x1108)
- Noise Reduction, Low up to 0.001Lux with DSS, DC Auto Iris Lens support
- Motion Detection, Privacy Masking, Day/Night, Digital Zoom
- 2-way Audio Support, DDNS, Alarm(1/1), RS-485, POE(Optional)

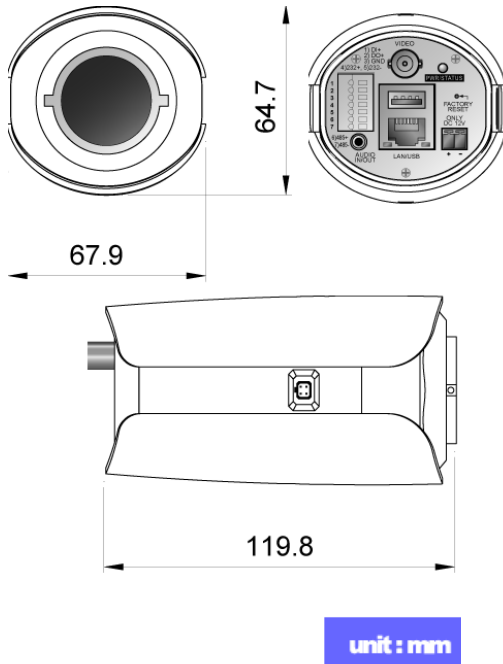
### Picture



### Specifications

Camera	
Image sensor Scan mode	1/3" 2.2 Mega Panasonic CMOS
Scan mode	Progressive Scan
Number of active pixels	1944(H) × 1092 (V) = 2,122,848 (pixel)
Total number of pixels	2010(H) × 1108 (V) = 2,227,080 (pixel)
Minimum illumination	0.001Lux with Sense-up
Luminance S/N ratio	More than 50dB (AGC Off)
Day & Night	Color / Auto / BW, EXT, TDN(Optional)
Back Light	Off / WDR / BLC
AGC	On /Off
White Balance	Auto/Preset/Manual
Noise Reduction	Off/Low/Middle/High
E. Zoom	X1 ~ x31
Brightness	0 – 20 steps
Mirror	Off / H / V / H&V
Privacy Zone	32 Zones
Motion	On/ Off
OSD	Available
ACE	Off / On
Lens / Mount	DC, Manual / C, CS
Operating temp.	- 10° C to 50°
Weight	About 700g
Dimension	119.8(L)X 67.9(W)X64.7(H)mm
Power Supply	DC12V±10
Power Consumption	7W (Max)
Network	
Hardware	Flash (32Mbyte), RAM (256Mbyte)
	Ethernet:RJ-45(10/100BASE-T)
Video Output	Channel 1ch (CVBS)
	Compression H.264 & MJPEG Dual Codec
	SXGA(1280X1024),HD(1280X720P), VGA(640X480),QVGA(320X240)
	Max. Frame rate 30/25 fps
Audio	Bitrate control : CBR or VBR(64K~12Mbps)
	Audio Input(1), Audio Output(1)
Event	8 bit PCM ( G711 u-law ) 8Khz, Mono
	Alarm(1/1) / Motion Detection : E-mail, FTP Event Output : Notification Service
Recording	Manual / Schedule / motion Detection / Sensor Event
Client Viewer	Web viewer, CMS
	Window XP, Vista, Window 7
Network Protocol	HTTP, TCP/IP, UDP, ARP, ICMP, RTP/RTSP/ DHCP, Telnet, FTP, ,NTP, DDNS, SMTP, UPNP, PPPoE, Onvif, PSIA

### Dimension



unit : mm