

WEB SPEED DOME CAMERA

DNC-300SE5W

Features

- 35X Optical Zoom Web Speed Dome Camera
- True Day & Night, Minimum Illumination 0.0001Lux
- H.264 Compression, Dual-Streaming • Dynamic IP support
- Dual Codec (H.264, JPEG), Two way Audio Support, DDNS
- Alarm(1/1), CMS, Smart phone, Onvif support, Max connection(10)

**420X ZOOM, 540TVL
TDN, 0.0001Lux,WDR**

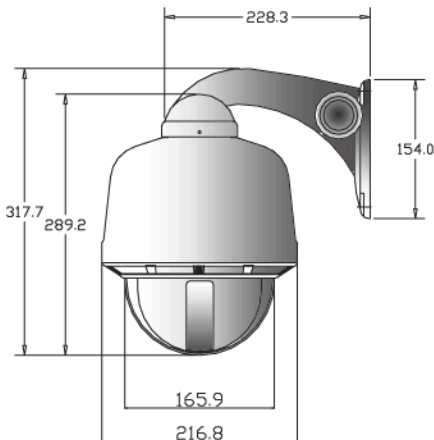
Picture



Specifications

Model	DNC-300Se5w	
Signal system	NTSC	PAL
Image sensor	1/4" Type Sony Progressive CCD	
Effective pixels	768(H)X494(V) 380K	752(H)X582(V) 440K
Horizontal resolution	540 TV lines	
Lens	35x Optical zoom, f =3.4 – 119mm	
Minimum illumination	0.1Lux , 0.0001Lux(DSS)	
Luminance S/N ratio	More than 50dB (AGC OFF)	
Focus mode	Auto/manual	
WDR	Auto / Off	
AGC Control	Selectable	
Shutter speed control	1/60 – 1/10,000 sec 28 steps	1/50 – 1/10,000 sec 28 steps
Flickerless set	Off/On(1/100 sec shutter set)	Off/On(1/120 sec shutter set)
Sharpness control	Level Selectable	
Pan/Tilt speed	Max Pan : 180°/sec / Tilt 90°/sec	
Vertical Tilt	+2° - 90°	
Preset point	32 Presets	
Hardware	Flash (32Mbyte), RAM (256Mbyte) Ethernet:RJ-45(10/100BASE-T)	
Video Output	Channel 1 ch Compression H.264 & JPEG Dual Codec D1-720X480(NTSC)/720X576(PAL) ,2CIF-704 x 240(NTSC)/704x288(PAL), CIF-352 x240(NTSC)/352x288(PAL), Frame rate 1~30 fps Bitrate control : CBR or VBR(64K~12Mbps)	
Audio (Additional Option)	Audio Input(1), Audio Output(1) 8 bit PCM (G711 u-law) 8Khz, Mono	
Event	Alarm / Motion Detection : E-mail, FTP Event Output : Notification Service	
Recording	Manual / Schedule / motion Detection / Sensor Event	
Client Viewer	Web viewer, CMS Window XP, Vista, Window 7	
Network Protocol	HTTP, TCP/IP, UDP, ARP, ICMP, RTP/RTSP/ DHCP, Telnet, Onvif, FTP, ,NTP, DDNS, SMTP, UPNP, PPPoE, Multicas	
Environment	Outdoor	
Operating temp.	- 40° C to 50°	
Weight	About 5.2Kg (Without adaptor)	
Material	Aluminum Body, 6.6 inch Bubble (Poly-carbonate)	
Demension	271 (H) X 217 (D) mm	
Color	Ivory body, Clear Bubble	
Input Voltage	AC24V ±10	
Power Consumption	25W (Max)	

Dimension



unit : mm