

# P-1401 (W/PoE)

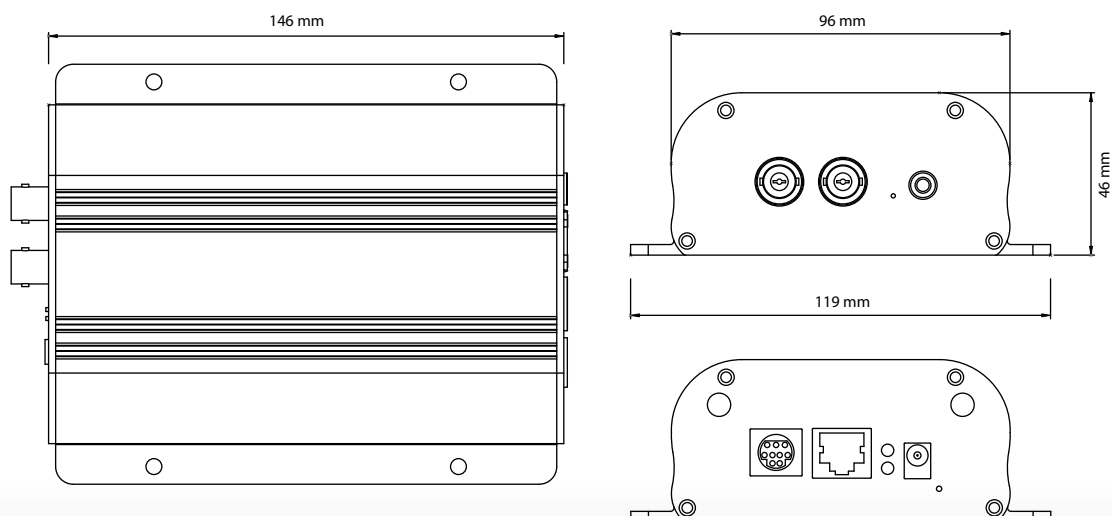
## Dual-Codec Network Video Server



### **MAIN FEATURES**

- Self-Contained Web Server providing Internet capability for remote access
- MPEG-4/MJPEG dual compression formats
- Compress and transfer video and audio simultaneously
- Supports up to 30/25 FPS at Full D1 resolution
- One BNC video input, and one BNC loopback video output
- RS-485/RS-232/GPIO/Video-out All-In-One connector
- Built-in PTZ protocols allow to connect and control various PTZ devices
- Supports DDNS for dynamic IP application
- Wireless model supports IEEE 802.11g wireless network
- PoE model receives both data and power over a single Ethernet cable
- Hardware watchdog providing robustness system in critical environment

### **DIMENSION DIAGRAM**



# P-1401 (W/PoE) Dual-Codec Network Video Server

## Specifications

System	32-Bit RISC Processor, 4MB Flash ROM, 32MB SDRAM	
Video Compression	MPEG-4 Simple Profile (SP) / MJPEG, Dual Codec	
Video Resolution	Full D1: NTSC = 720 x 480; PAL = 720 x 576 CIF: NTSC = 352 x 240; PAL = 352 x 288 QCIF: NTSC = 176 x 120; PAL = 176 x 144	
Bit Rate	64K ~ 4M bits/sec (CBR/VBR configurable)	
Frame Rate	Up to 30(NTSC) / 25(PAL)	
Video Control	Frame rate, Bit rate (Constant Bit Rate (CBR), Variable Bit Rate (VBR) w/ quality levels), Group of Pictures (GOP) size, Frame Sequence (I-Frame, I-Frame/P-Frame)	
Analog Video Input / Output	2 x BNC (1 video input, 1 x video out)	
Pan / Tilt / Zoom control	Yes, supports Peloco-P, Pelco-D, Lilin, Dynacolor protocols	
Event System	Trigger	GPIN, Motion detection,
	Action	GPOUT, FTP, Email and alert message
Network Interface	10/100 Base-T Ethernet IEEE 802.11b/g wireless LAN (P-1401W model)	
Protocols	TCP(UDP)/IP, HTTP, FTP, Telnet, SMTP, DHCP, NTP, DDNS, RTSP, RTP/TCP(UDP)	
Audio Capability	1 audio input 3.5mm jack	
Power Supply	AC/DC switching power adapter, input: AC100 ~240V, output: DC 12V/1.5A Built-in PoE IEEE 802.3af (P-1401PoE model)	
Power Consumption	5.3W / 6W (Wireless Model) / 7W (PoE Model)	
Operation Temperature	5°C ~ 45°C	
Operation Humidity	20% ~ 80% RHG	
Dimension (L x W x H)	142mm x 119mm x 46mm (without wireless antenna)	
Net Weight	500 g	
I/O Connectors	2 x BNC connectors for analog video in / out 1 x Line in Jack 1 x Mini-DIN for RS-485 / Photo-coupled GPIN / Relay GPOUT / Video out 1 x Reset hole to restore factory defaults 1 x RJ-45 Ethernet connector 2 x LEDs(Power status / Network) 2 x antenna connectors (P1401W model) 1 x DC In connector	
Package Contents	1 x CD (manual and software) 1 x Ethernet cable 1 x Mini Din to Terminal block extend cable 1 x ACDC Power Adapter (Not included with PoE model) 2 x antennas (Wireless model)	