

COLOR BOX CAMERA

DCC-700F(DN)

**680TVL, DNR
Sony Effio, ATR, TDN**

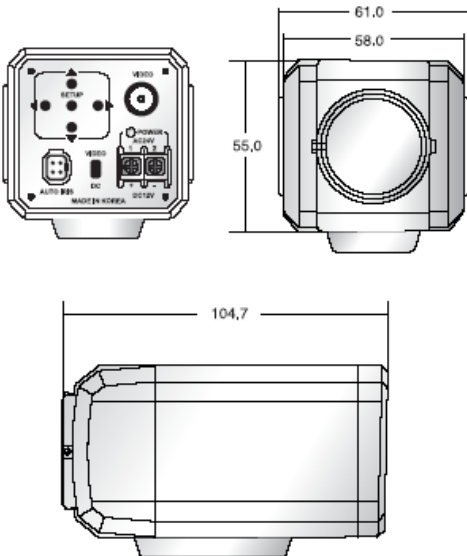
Features

- SONY 1/3" 480K/570K-Effective Pixel Ex-view HAD CCD II
- High Resolution: More than 680 TV Lines
- NR (Digital Noise Reduction), High Color Reproduction
- ATR (Adaptive Tone Reproduction), Privacy Zone
- High sensitivity and high saturation signal, OSD (On Screen Display) menu (8 languages)
- C/CS Mount Lens

Picture



Dimensions



unit : mm

Specifications

MODEL	DCC-700F(DN)	
Signal system	NTSC	PAL
Image sensor	1/3" Sony 480K/570K Ex-view super HAD CCD II	
Total pixels	1020(H)X508(V)	1020(H)X596(V)
Effective pixels	976(H)X494(V)	976(H)X582(V)
Resolution	More than 680 TVL (B/W 720 TV Lines with ICR)	
Scanning frequency	15.734KHz(H), 60(V)	15.625KHz(H), 50(V)
Shutter speed	1/60~1/100,000 sec	1/50~1/100,000 sec
Minimum illumination	Color 0.1Lux(50IRE) @F1.2 / B/W 0.08Lux(50IRE)	
ATR	On / Off	
White Balance	ATW / PUSH / USER1 / USER2 / ANTI CR / MANUAL / PUSH LOCK	
DNR	On(Y/C 0-15) / Off	
Back Light	BLC / HLC	
Day & Night	Auto / Color / BW (TDN with ICR:Optional)	
Privacy zones masking	8 Zones	
AGC	Level setting	
Camera ID	On / Off	
Language	English/Japanese/Chinese/German/French/ Russian/Portuguess/Spainsh	
S/N ratio	More than 52dB	
Video output	Composite video output 75Ω terminated	
Lens mount	C / CS Mount	
Sync. system	Internal	
Operating humidity	30 % ~ 90 % RH	
Operating temperature	- 10°C to 50°	
Dimension	63.7(W) X 55.5(H) X 105.5(D)mm	
Weight	About 420g	
Power consumption	Max 2.5W	
Power supply	DC 12 V(10.2V~14.5 V) Dual Voltage(Option) : AC24V / DC12V	