

NETWORK DOME CAMERA DNC-500DVW



**H.264, 600TVL
3D-DNR,DSS**

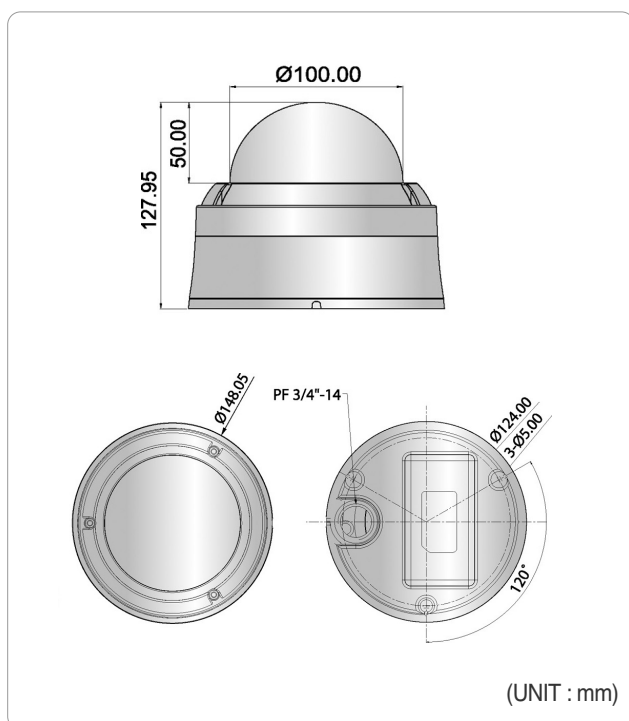
FEATURES

- 410K Pixel Sony CCD
- D1 Real Time(30fps) Transmission
- Resolution 600 TVL, Min 0.00001Lux, DC Auto Iris Lens (4~9mm)
- H.264 Compression, Dual-Streaming - Dynamic IP supported
- Dual Codec(H.264, MJPEG), Two way Audio Support, DDNS, Alarm, Max connection(50)

SPECIFICATIONS

MODEL	DNC-500DVW	
Signal system	NTSC	PAL
Image sensor	1/3" Sony Super HAD CCD II	
Effective pixels	768(H) × 494(V) 380K	752(H) × 582(V) 440K
Horizontal resolution	More than 600 TV lines	
Shutter speed control	1/60-1/10,000 sec 28 steps	1/50-1/10,000 sec 28 steps
Minimum illumination	0.1 Lux (30 IRE), 0.00001Lux(DSS)	
Luminance S/N ratio	More than 50dB(AGC Off)	
Lens	DC Auto Iris Lens(4~9mm)	
Day & Night	Color / Auto / EXT / BW	
Digital WDR	On /Off	
AGC	Low / Middle / High /Off	
White Balance	ATW/ATW-L/AWB/AWC-set/Manual/Indoor/Outdoor	
Sharpness control	Level 0-31	
Privacy Zone	8 Zones	
Motion Detection	4 Zones	
Camera Title	On / Off	
Hardware	Flash(32Mbyte), RAM(256Mbyte) Ethernet : RJ-45(10/100BASE-T)	
Video Output	Channel 1ch Compression H.264 & MJPEG Dual Codec D1--720 × 480(NTSC)/720 × 576(PAL), 2CIF-704 × 240(NTSC)/704 × 288(PAL), CIF-352 × 240(NTSC)/352 × 288(PAL), QCIF-176 × 112(NTSC)/176 × 144(PAL) Max. Frame rate 30/25 fps Bitrate control : CBR or VBR(64K~12Mbps)	
Audio	Audio Input(1), Audio Output(1) 8bit PCM(G711 u-law) 8Khz, Mono	
Event	Alarm / Motion Detection : E-mail, FTP Event Output : Notification Service	
Recording	Manual / Schedule / motion Detection / Sensor Event	
Client Viewer	Web viewer, CMS Window XP, Vista, Window 7	
Network Protocol	HTTP, TCP/IP, UDP, ARP, ICMP, RTP/RTSP/ DHCP, Telnet, FTP, NTP, DDNS, SMTP, UPNP, PPPoE, Multicast	
Operating temp.	-10°Cto 50°	
Weight	About 700g	
Dimension	127.95 (H)mm × Bubble 100Ø	
Power Supply	DC 12V±10, Dual Voltage(Optional)	
Power Consumption	7W(Max)	

DIMENSIONS



(UNIT : mm)