

# SPEED DOME CAMERA

## DOH-240Se

**432X ZOOM, 600TVL  
TDN, 0.00004Lux**

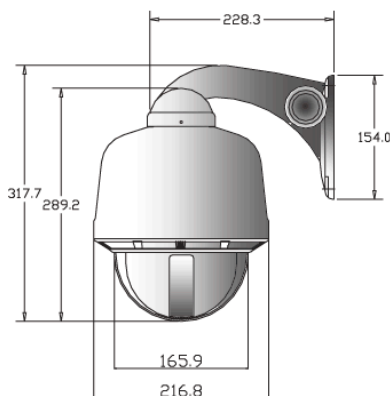
### Features

- 410K Pixel, 1/4 " SONY Super HAD CCD
- Horizontal resolution : 600TVL(Color), 700TVL(B/W)
- 27x Auto Focus Optical Zoom, 16x Digital Zoom with Infrared Cut filter removal Day & Night
- Digital Slow Shutter (Min. illumination 0.00004Lux), Digital image stabilizer(DIS)
- Auto Flip (Automatically 180° Turning), Protection for Low Voltage, Weather-proof(IP66)
- A variety of surveillance with Swing(2), Presets(250), Group(8), Tour, Trace, Spiral, Alarm (4In/1Out)
- Suits for Crime Prevention, Factory, Military Base

### Picture



### Dimensions



unit : mm

### Specifications

MODEL	DOH-240Se	
Signal system	NTSC	PAL
Image sensor	1/4" Sony Super HAD CCD	
Effective pixels	768(H) X 494(V),	752(H) X 582(V),
Horizontal resolution	Color : 600 TV lines(Min) / B/W :700TV lines(Min)	
Lens	27x Optical zoom, f =3.5 -94.5mm	
Digital zoom	16x (Total zoom 432x)	
Angle of view	H: 55.5° (W) to 2.24° (T), V: 42.5° (W) to 1.79° (T)	
Minimum illumination	0.5 Lux @F1.6 (Normal Color Mode) 0.1 Lux @F1.6 (B/W Mode) 0.00004 Lux @F1.6 (Sens-up Mode)	
Luminance S/N ratio	More than 50dB (AGC off)	
Video output	1 Vp-p Composite video output 75Ω	
Focus mode	Auto / Manual / Oneshot	
Back light	HLC / BLC / WDR	
DIS	On / Off Selectable	
Shutter speed	1/60 -1/120,000 sec	1/50 -1/120,000 sec
White balance	Auto / Indoor / Outdoor	
Alarm in/out	4 Inputs / 1 Relay Output	
Pan/Tilt angle	360° Endless / 92°	
Pan speed	0.1° ~ 180°/sec (64 Levels)	
Preset point	250 Presets	
Preset Speed	Max 180°/sec (64 Levels)	
Communication system	RS-485	
Operating temperature	- 40°C ~ 50°C (-40°F ~ 122°F)	
Storage temperature	- 5°C ~ 60°C	
OSD	Built-in	
Operating humidity	Less than 100%RH	
Dimensions	216.8mm(Diameter) x 289.2(Height) mm	
Weight	About 5.2Kg ( Without adaptor )	
Construction	Aluminum body , Clear vandal bubble (PC)	
Power consumption	21W (Max)	
Power supply	AC24V, 60/50 Hz	