

SPEED DOME CAMERA DSC-300SE



**230X ZOOM, TDN
WDR, 0.009Lux**

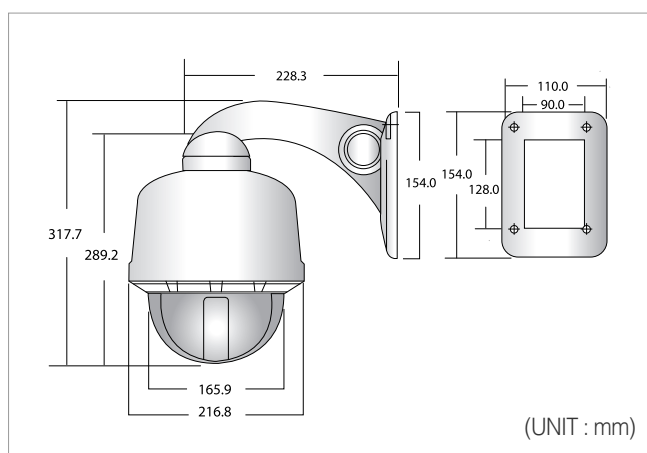
FEATURES

- 410K Pixel, 1/4" Sony Progressive Scan CCD, 23x Auto Focus Optical Zoom, (Total 230X)
- Built-in Hitachi DSP VI Camera Module with Day & Night (ICR)
- Low Illumination with DSS, 0.009Lux
- Perfect Back Light Compensation (WDR Functions), Smart Zoom (Speed control by Zoom ratio)
- 250 Programmable Preset Positions, Swing, Group, Trace, Spiral, Auto Flip, Alarm etc.
- 8 Privacy Masking Zones, Motion Detection, Weather-proof(IP66)
- Suits for Factory, Military Base, Outside Building etc.

SPECIFICATIONS

MODEL	DSC-300Se	
Signal system	NTSC	PAL
Image sensor	1/4" Sony Progressive Scan CCD	
Effective pixels	768(H) × 494(V)	752(H) × 582(V)
Horizontal resolution	More than 540 TV Lines	
Lens	23x Optical zoom, f=3.6-82.8mm	
Digital zoom	10x (Total zoom 230x)	
Angle of view	Approx 54° (Wide), Approx 2.5° (Tele)	
Minimum illumination	0.5 Lux, 0.1Lux(D&N), 0.009Lux(DSS) / F1.6	
Luminance S/N ratio	More than 50dB	
Video output	1 Vp-p Composite video output 75Ω	
Focus mode	Auto / Manual	
Wide Dynamic Range	Auto / Off / Manual (Level 1~126)	
Motion detection	On/ Off	
Shutter speed	Auto	
Back light	On / Off	
Auto flip	On/ Off	
Alarm in/out	4 Inputs / 1 Relay Output	
Pan/Tilt angle	360° Endless / 92°	
Pan speed	0.1° ~ 240°/sec (64 Levels)	
Preset point	250 Presets	
Preset speed	Max 360°/sec (64 Levels)	
Privacy zones masking	8 Zones	
Communication system	RS-485 / 422	
Operating Fan/Heater	Over than 45°C / Less than 5°C	
Operating humidity	Less than 90% RH	
Operating temperature	-40°C ~ 50°C (-14°F ~ 122°F)	
Dimensions	216,8mm(Diameter) x 289,2mm(Height)	
Weight	About 5,2Kg (Without adaptor)	
Construction	Aluminum body, Clear vandal bubble (PC)	
Power consumption	21W (Max)	
Power supply	AC24V, 60/50 Hz	

DIMENSIONS



OPTIONAL ACCESSORIES

