

SPEED DOME CAMERA

DSC-300Se5

**420X ZOOM, TDN
WDR, 0.0001 Lux**

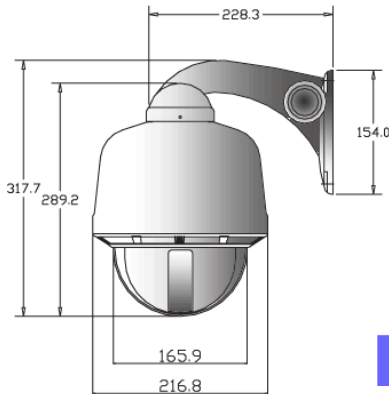
Features

- 410K Pixel, 1/4" SONY CCD, 35x Auto Focus Optical Zoom(Total 420X)
- Built-in Hitachi DSP-7 Camera Module with Day & Night (ICR)
- Perfect Back Light Compensation (WDR Functions), Smart Zoom (Speed control by Zoom ratio)
- 250 Programmable Preset Positions, Swing, Group(6), Trace, Spiral, Auto Flip, Alarm, Etc.
- Progressive-Mode Frame Recording Direct to DVR
- 8 Privacy Zones, Motion Detection, Weather-proof(IP66)
- Suits for Factory, Military Base, Outside Building, Etc.

Picture



Dimensions



unit : mm

Specifications

MODEL	DSC-300Se5	
Signal system	NTSC	PAL
Image sensor	1/4" Sony Progressive CCD	
Effective pixels	768(H) X 494(V),	752(H) X 582(V),
Horizontal resolution	More than 520 TVL	
Lens	35x Optical zoom, f =3.4 -119mm	
Digital zoom	12x (Total zoom 420x)	
Angle of view	Approx 55.8° (Wide), Approx 1.7° (Tele),	
Minimum illumination	0.1Lux, 0.0001Lux(Sens-Up) /F1.4	
Luminance S/N ratio	More than 50dB	
Video output	1 Vp-p Composite video output 75Ω	
Focus mode	Auto / Manual	
WDR	Auto / Off / Manual (Level 1~126)	
Motion detection	On/ Off	
Shutter speed	Auto	
Back Light	On / Off	
Auto Flip	On / Off	
Alarm in/out	4 Inputs / 1 Relay Output	
Pan/Tilt angle	360° Endless / 92°	
Pan speed	MAX 360°/sec (64 Levels)	
Preset point	250 Presets	
Preset speed	Max 360°/sec (64 Levels)	
Privacy zones masking	8 Zones	
Operating temperature	-40°C ~ 50°C (-14°F ~ 122°F)	
Communication system	RS-485 / 422	
Operating Fan/Heater	Built-in	
Operating humidity	Less than 90%RH	
Dimensions	189mm(Diameter) x 224(Height) mm	
Weight	About 3.2Kg (Without adaptor)	
Construction	ABS body , Clear vandal bubble (PC)	
Power consumption	21W (Max)	
Power supply	AC24V, 60/50 Hz	

Bracket Selectable (Free)

Bracket optional



DSC-30EWP

DSC-20ECP

DSC-20PMA

DSC-20CMA